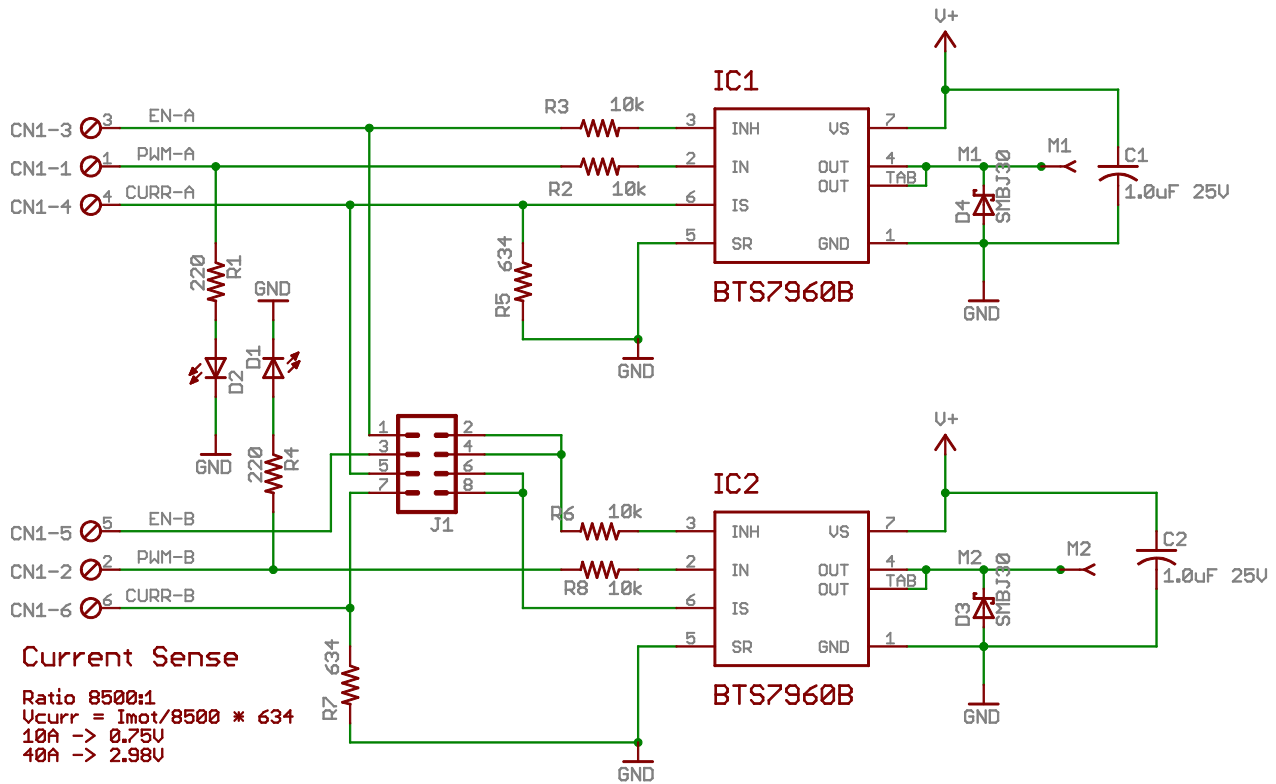


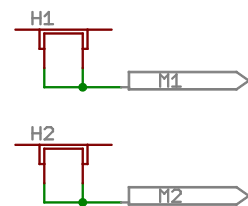


Robot Power Simple H-bridge

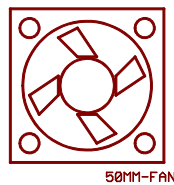
6V-28V , 25A Continuous w/fan
3.0V - 5.0V Logic level inputs



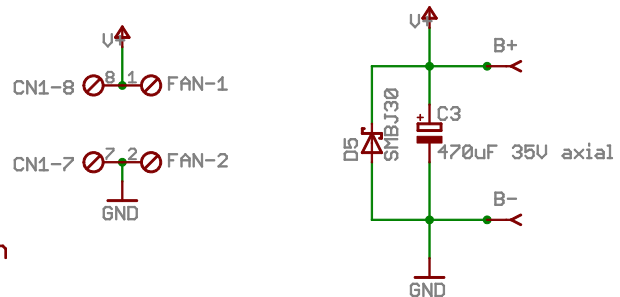
Current Sense
 Ratio 8500:1
 $U_{curr} = I_{mot}/8500 * 634$
 10A -> 0.75V
 40A -> 2.98V



Heat Sinks



50mm x 10mm 12V fan



Copyright (C) 2007 by Robot Power
 All Rights Reserved except as follows:
 This design is freely available
 For personal or educational purposes
 Commercial use requires permission
 Contact sales@robotpower.com for details

Simple-H v1.4

TITLE: simple-h-v14

Document Number:

REV:

Date: 3/12/2007 04:24:57p

Sheet: 1/1