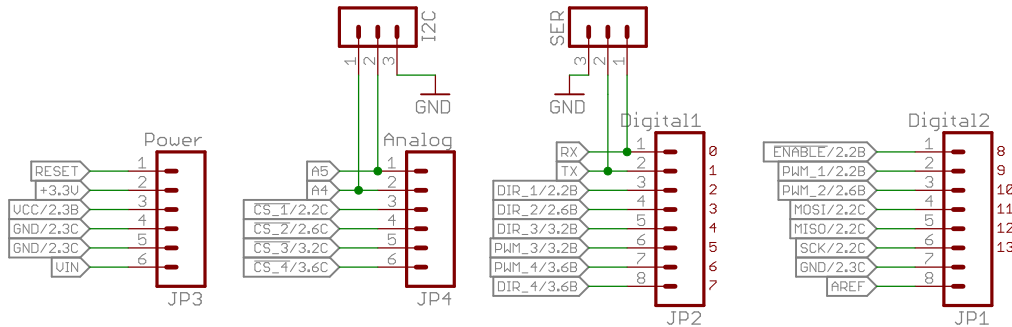


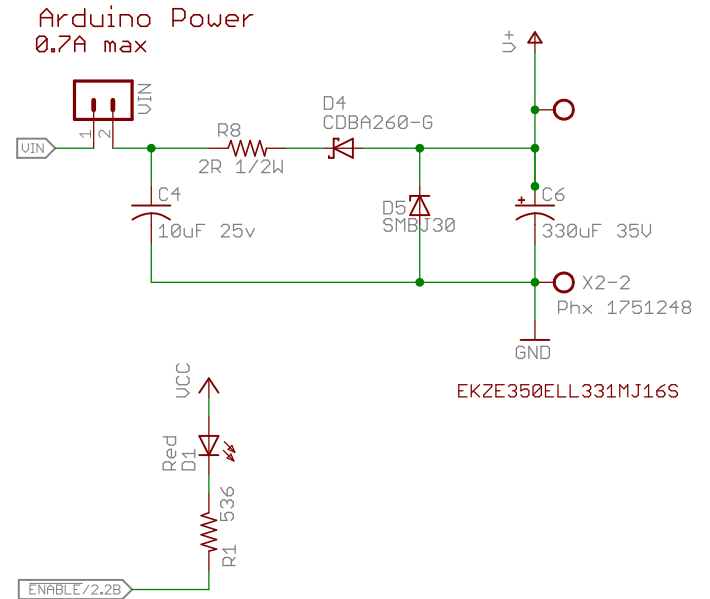


Multi-Motor Control for Arduino

7V-28V, 6.5A Continuous - 8A Peak per channel



Arduino Headers



EKZE350ELL331MJ16S

Copyright 2014 by Robot Power
 Released under the Creative Commons
 Non-Commercial, Attribution, Share-Alike Licence

MultiMoto Shield v1.5

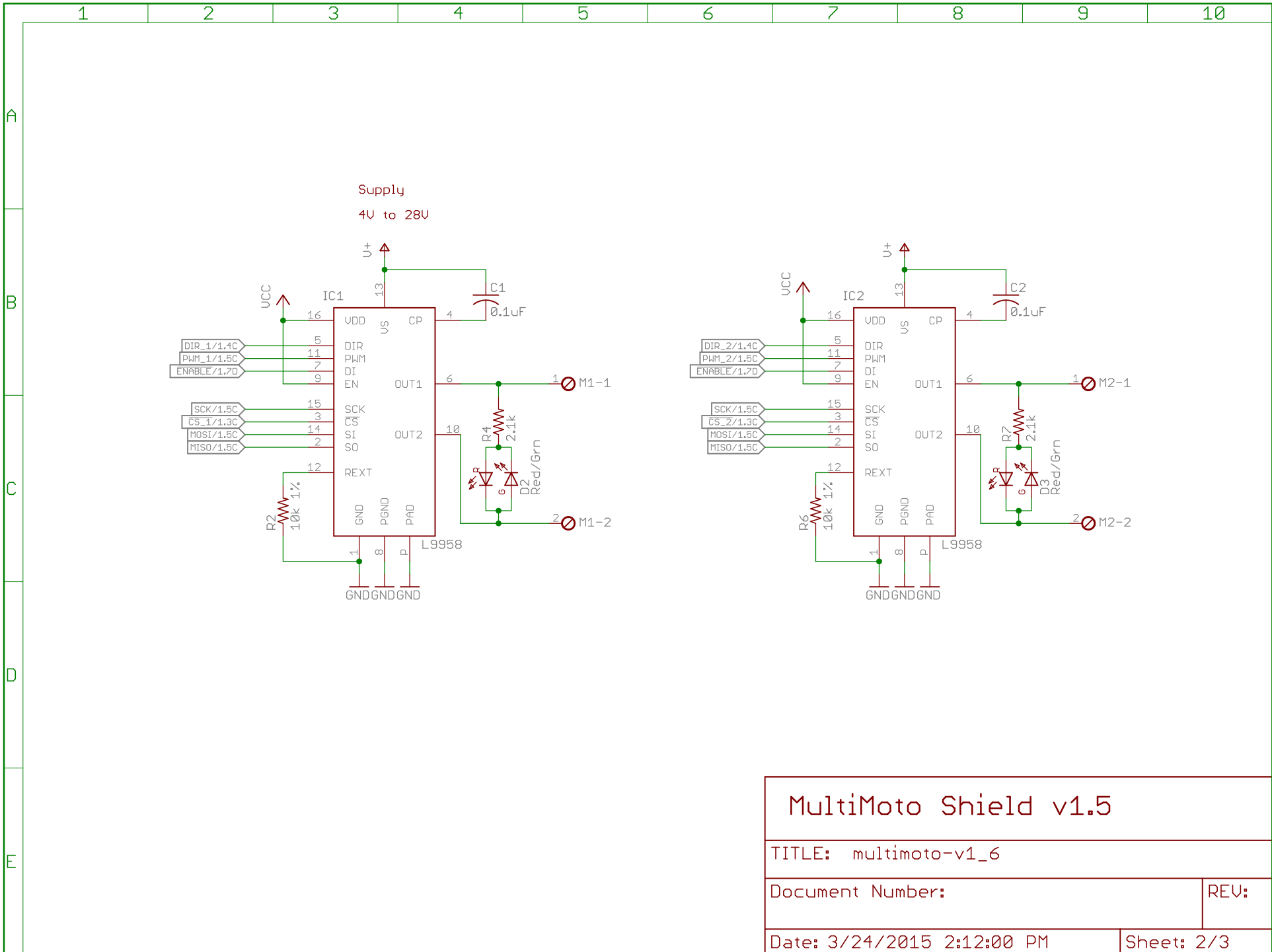
TITLE: multimoto-v1_6

Document Number:

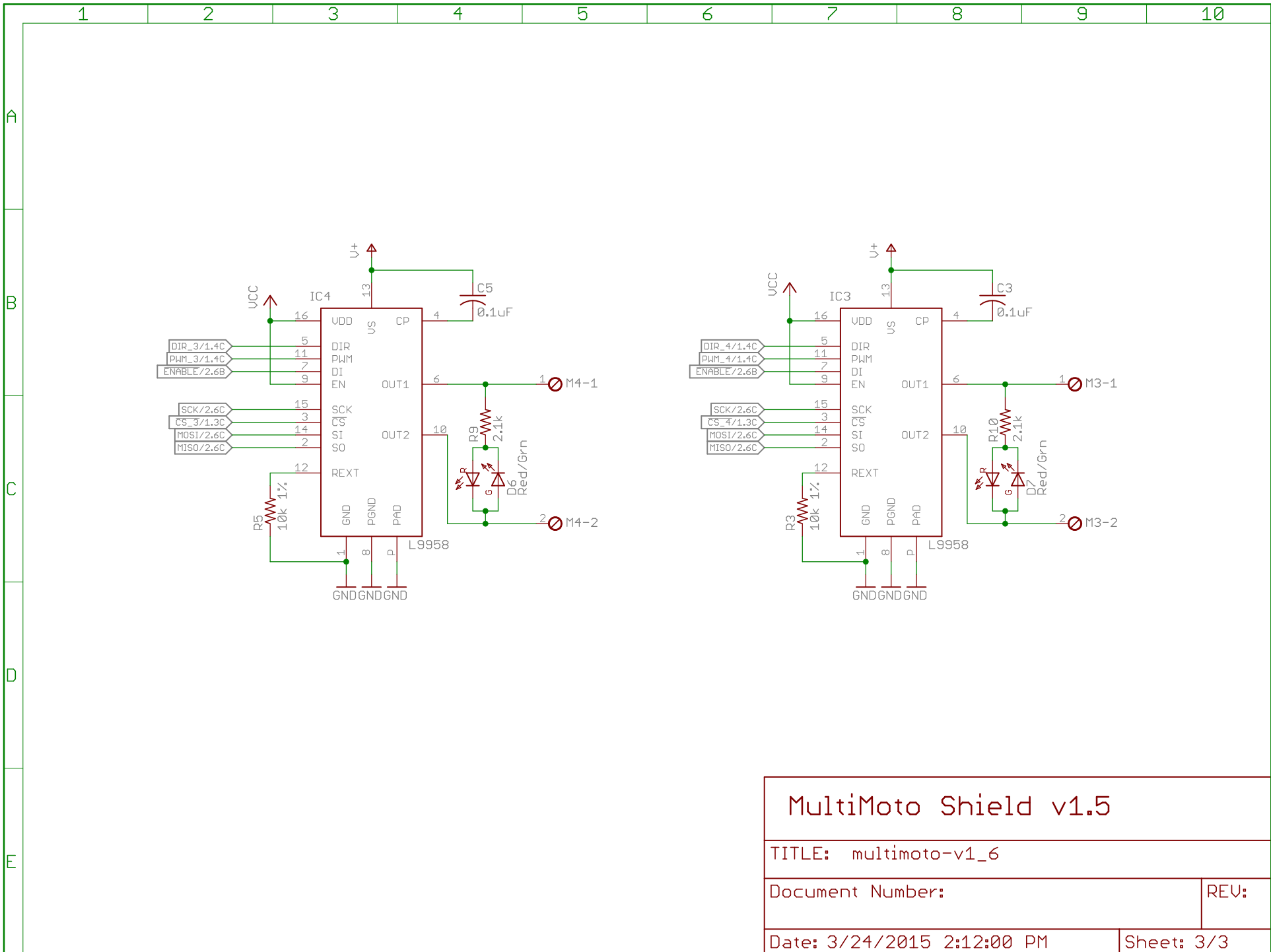
REV:

Date: 3/24/2015 2:12:00 PM

Sheet: 1/3



MultiMoto Shield v1.5	
TITLE: multimoto-v1_6	
Document Number:	REV:
Date: 3/24/2015 2:12:00 PM	Sheet: 2/3



MultiMoto Shield v1.5	
TITLE: multimoto-v1_6	
Document Number:	REV:
Date: 3/24/2015 2:12:00 PM	Sheet: 3/3